

Daylight Photo-Lamp

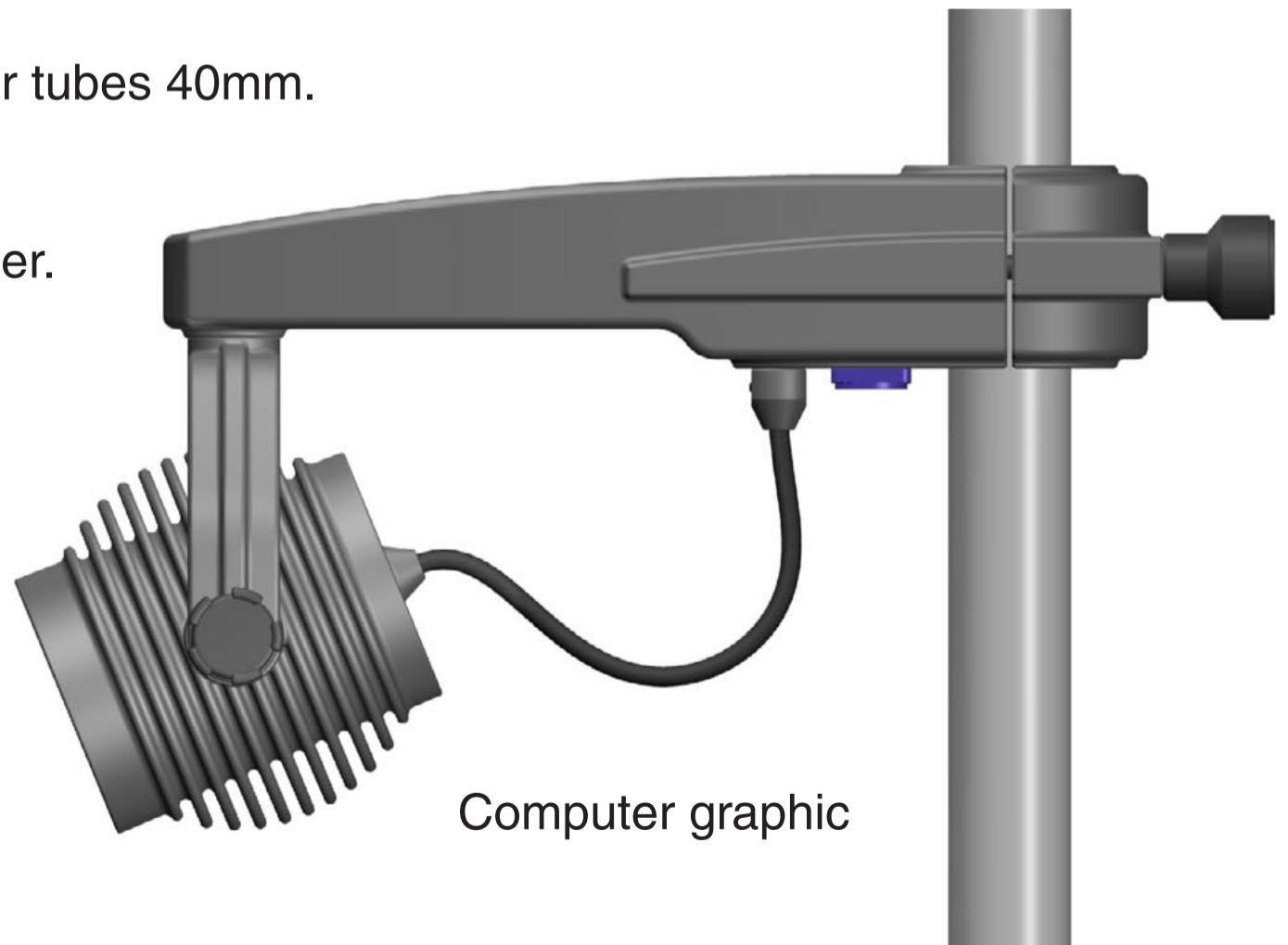


Photo / zoom 200%

The daylight photo-lamp consists of these components:

1. Aluminium carrier for tubes 40mm.
2. Aluminium fixture.
3. Aluminium gimbal.
4. Electronic transformer.
5. SoLux bulb 4700K.

Applications:
Proofing light
Photo light



Computer graphic

Main contributors:

Daniel Holl (carrier) / Sara Hoffmann, Stephan Hellmers (fixture) / Siefke Lüers (gimbal) / Jürgen Hoffmann (pattern maker, cast aluminium) / Lutz Krause (CNC manufacturing) / Gernot Hoffmann (supervisor). March 08/2005.